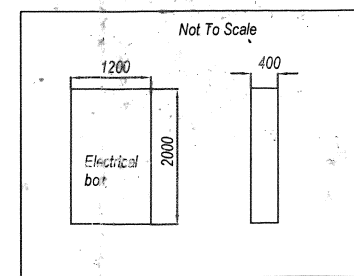
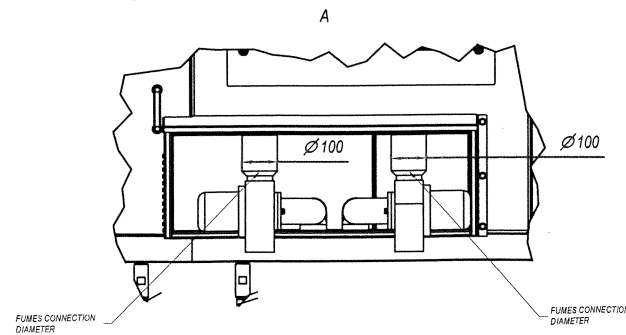
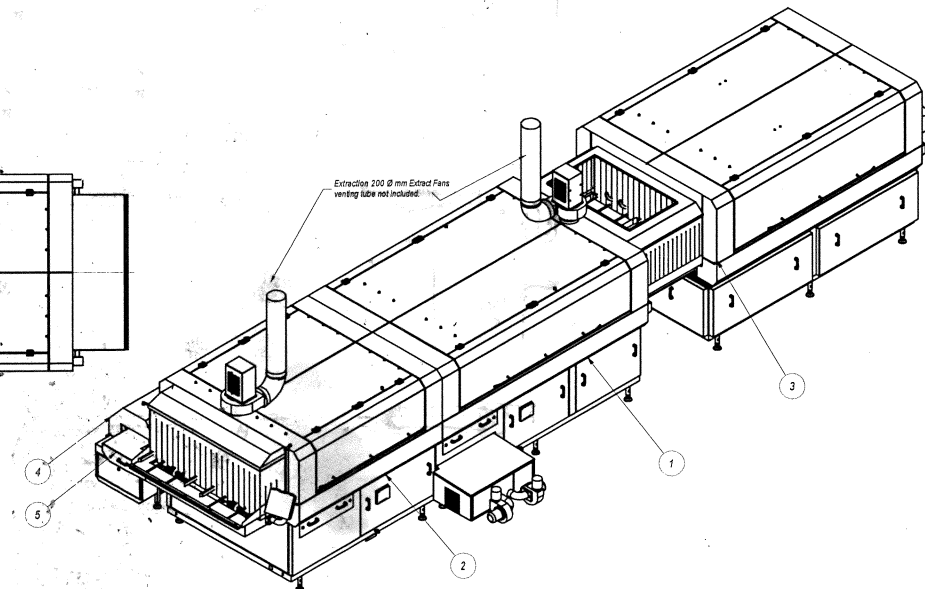
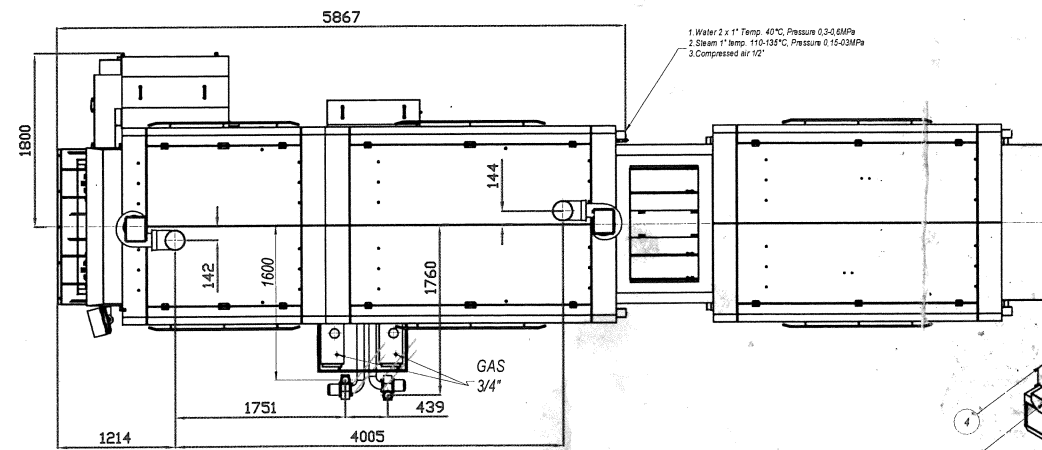
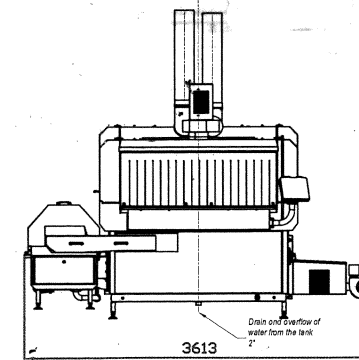
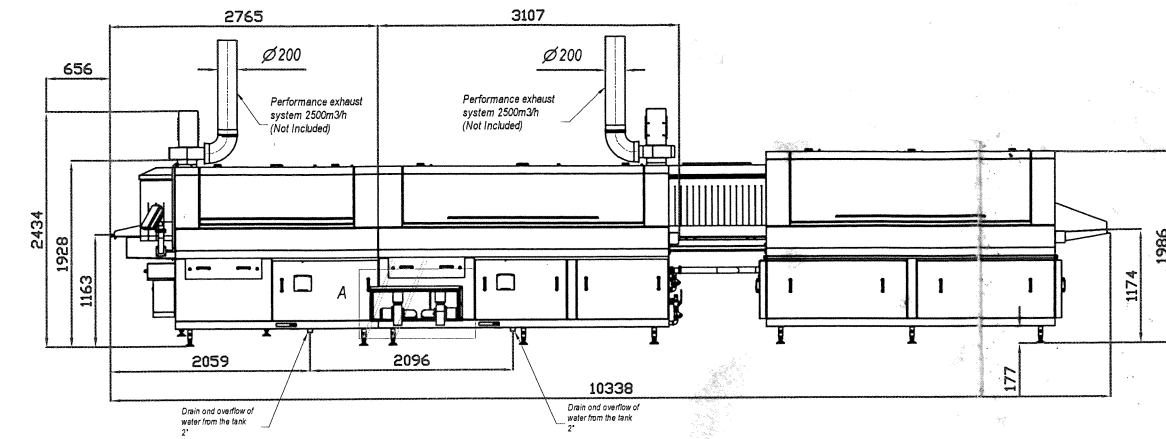


SMART-TECH
 MP-2000+SO-2000
 2016.03.18



Rev 1: Extraction 200 Ø mm Extract Fans & venting tube not included.

WARNING: PROPRIETARY AND CONFIDENTIAL INFORMATION. This document and the information set forth herein (the "Information") are confidential and proprietary to DanTech UK Ltd ("DanTech"), constitute trade secrets and derive independent economic value, actual or potential, from not being generally known. In consideration of you receiving this document you agree (i) to keep the Information secret, (ii) only to use the Information for your own needs to accomplish the task(s) agreed with DanTech, (iii) not to disclose any part of the Information to any third party and (iv) not to make copies or reproductions thereof by whatsoever means.

| | | | |
|--|--------------------|------------------------------|---|
| DanTech UK Ltd Merlin Park Ringtail Road, Buncough, Lancashire L40 8JY Great Britain Tel: +44 (0)945 127 9080 Fax: +44 (0)945 127 9081 Email: sales@dantechuk.com www.dantechuk.com | | | PROJ: Client: Crate Washing Systems Percy Ingle Ltd |
| CAD / COMMENT ACAD | | ITEM A2 | |
| MATERIAL LAST REV. DATE DATE | SIGN. SIGN. | APPD. APPD. | |
| June 1 2016 | CT | SCALE 1:50 | |
| MASS [kg] | | DRAWING NO. 745-01 | |
| REV. | | 1 | |